

Manuals+

User Manuals Simplified.



resideo Braukmann TM200 Thermostatic Mixing Valve Instruction Manual

[Home](#) » [resideo](#) » resideo Braukmann TM200 Thermostatic Mixing Valve Instruction Manual 

resideo

Braukmann

TM200
Installation instructions



Thermostatic Mixing Valve

Contents [[hide](#)]

- [1 Safety Guidelines](#)
- [2 Technical Data](#)
- [3 Options](#)
- [4 Assembly](#)
- [5 Assembly instructions](#)
- [6 Disposal](#)
- [7 Spare Parts](#)
- [8 Accessories](#)
- [9 File Downloads](#)
- [10 References](#)
- [11 Related Manuals](#)

Safety Guidelines

1. Follow the installation instructions.
2. Use the appliance
 - according to its intended use
 - in good condition
 - with due regard to safety and risk of danger.
3. Note that the appliance is exclusively for use in the applications detailed in these installation instructions (see 2 Technical Data). Any other use will not be considered to comply with requirements and would invalidate the warranty.
4. Please take note that any assembly, commissioning, servicing and adjustment work may only be carried out by authorized persons.
5. Immediately rectify any malfunctions which may influence safety.

Technical Data

Media

Medium: Drinking water

Connections/Sizes

Connection size: G³/4" or Ø22

Pressure values

Max. operating pressure: max. 10 bar

Maximum pressure

difference between hot and cold inlet supplies: 2.5 bar

Operating temperatures

Max. hot water inlet temperature: 90 °C

Setting range: 30 – 60 °C

The preset temperature during manufacture: 40 °C

Control accuracy: <±4 K

Specifications

Flow rate at 1.0 bar pressure differential across valve: appr. 27 l/min

Installation position: Arbitrary

Options

For Options visit homecomfort.resideo.com/europe

Assembly

Installation Guidelines

- Install without tension or bending stresses
- Fit a return flow-retarder unit where the hot water supply system includes a circulation circuit
- Observe the flow direction arrow when fitting a return flow-retarder unit
- To prevent the growth of legionella, DVGW-W551 specifies that the water volume in the pipework between the mixer valve and the furthest take-off point should not exceed 3 liters. This corresponds to a maximum length of 10 meters for 3 /4" (20 mm) pipework and 17 meters for 1 /2" (15 mm)
- Requires regular maintenance in accordance with EN 806-5

Assembly instructions

As a mixing valve

The flow direction arrows must be observed when connecting the hot and cold water inlets.

As a diverter valve



CAUTION!

For this application, flow is in the reverse direction and therefore is in the opposite direction to the arrows on the housing.

Changing the setting

The mixing valve can be set within the range 30 °C to 60 °C as follows:

- Remove the protective cap.
- Turn the adjuster knob until the required setting number aligns with the index mark 8 on the valve body.

Disposal

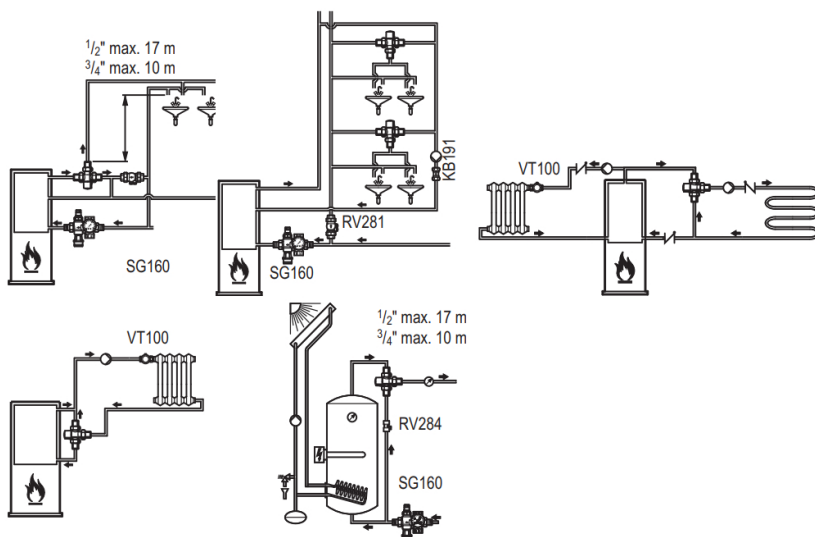
Observe the local requirements regarding correct waste recycling/disposal!

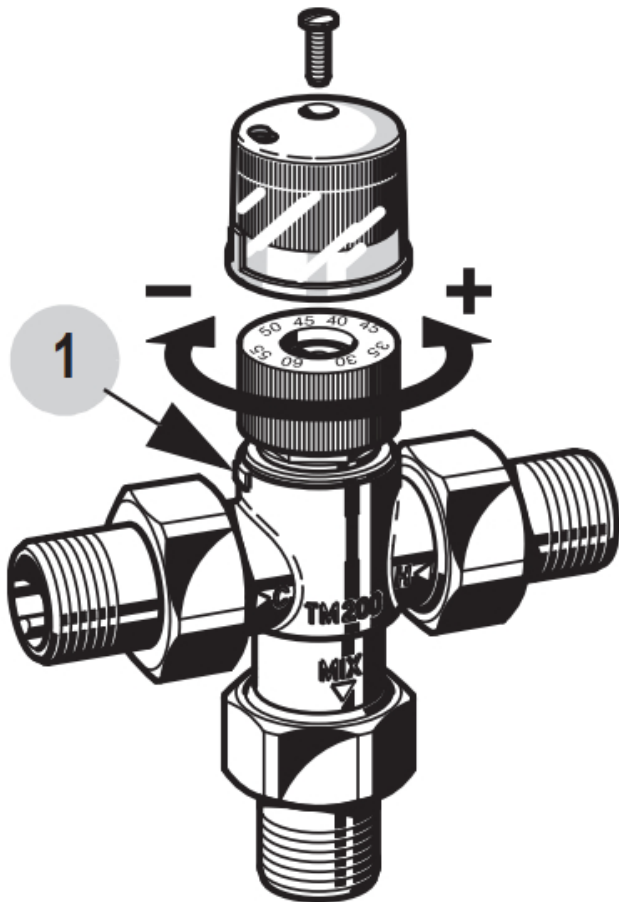
Spare Parts

For Spare Parts visit homecomfort.resideo.com/europe

Accessories

For Accessories visit homecomfort.resideo.com/europe





Manufactured for and on behalf of
by its authorized representative demo 1 GmbH

For more information

homecomfort.resideo.com/europe

Phone: +49 6261 810

Fax: +49 6261 81309

© 2020 Resideo Technologies, Inc. All rights reserved.

Subject to change. MU1H-1234GE23 R0420

File Downloads

resideo
Braukmann
TM200



resideo Instruction Manual
Braukmann TM200, Thermostatic Mixing Valve, TM200

[Download](#) [optimized]
[Download](#)

resideo
Braukmann
TM340/TM310



resideo Installation Guide
Braukmann, TM3400, TM3410, resideo, Thermostatic, Mixing Valve

[Download](#) [optimized]
[Download](#)


resideo
Braukmann
TM200



resideo Installation Guide
Braukmann, TM200, resideo, Thermostatic, Mixing Valve

[Download](#) [optimized]
[Download](#)

References

-  [HoneywellHome comfort Europe from Resideo](#)
-  [HoneywellHome comfort Europe from Resideo](#)

Related Manuals

1. [resideo AM-1 1070 Series Braukmann Proportional Thermostatic Mixing Valve User Guide](#) resideo AM-1 1070 Series Braukmann Proportional Thermostatic Mixing Valve User...
2. [resideo Braukmann UMV500 Series Universal Under Sink Thermostatic Mixing Valve Installation Guide](#) resideo Braukmann UMV500 Series Universal Under Sink Thermostatic Mixing Valve...
3. [resideo Braukmann AM-1 Series Thermostatic Mixing and Diverting Valve Standard and C Temperature Range Installation Guide](#) Braukmann AM-1 Series PROPORTIONAL THERMOSTATIC MIXING AND DIVERTING VALVE STANDARD...
4. [resideo MX Series Valves LARGE FLOW PROPORTIONAL THERMOSTATIC MIXING OR DIVERTING VALVE User Guide](#) MX Series Valves LARGE FLOW PROPORTIONAL THERMOSTATIC MIXING OR DIVERTING...
5. [resideo Braukmann MX Series Commercial Mixing Valves Installation Guide](#) resideo Braukmann MX Series Commercial Mixing Valves LARGE FLOW FLANGED...
6. [resideo THERMOSTATIC RADIATOR VALVE User Guide](#) resideo THERMOSTATIC RADIATOR VALVE TRV SELECTION GUIDE FOR STANDARD CAPACITY...